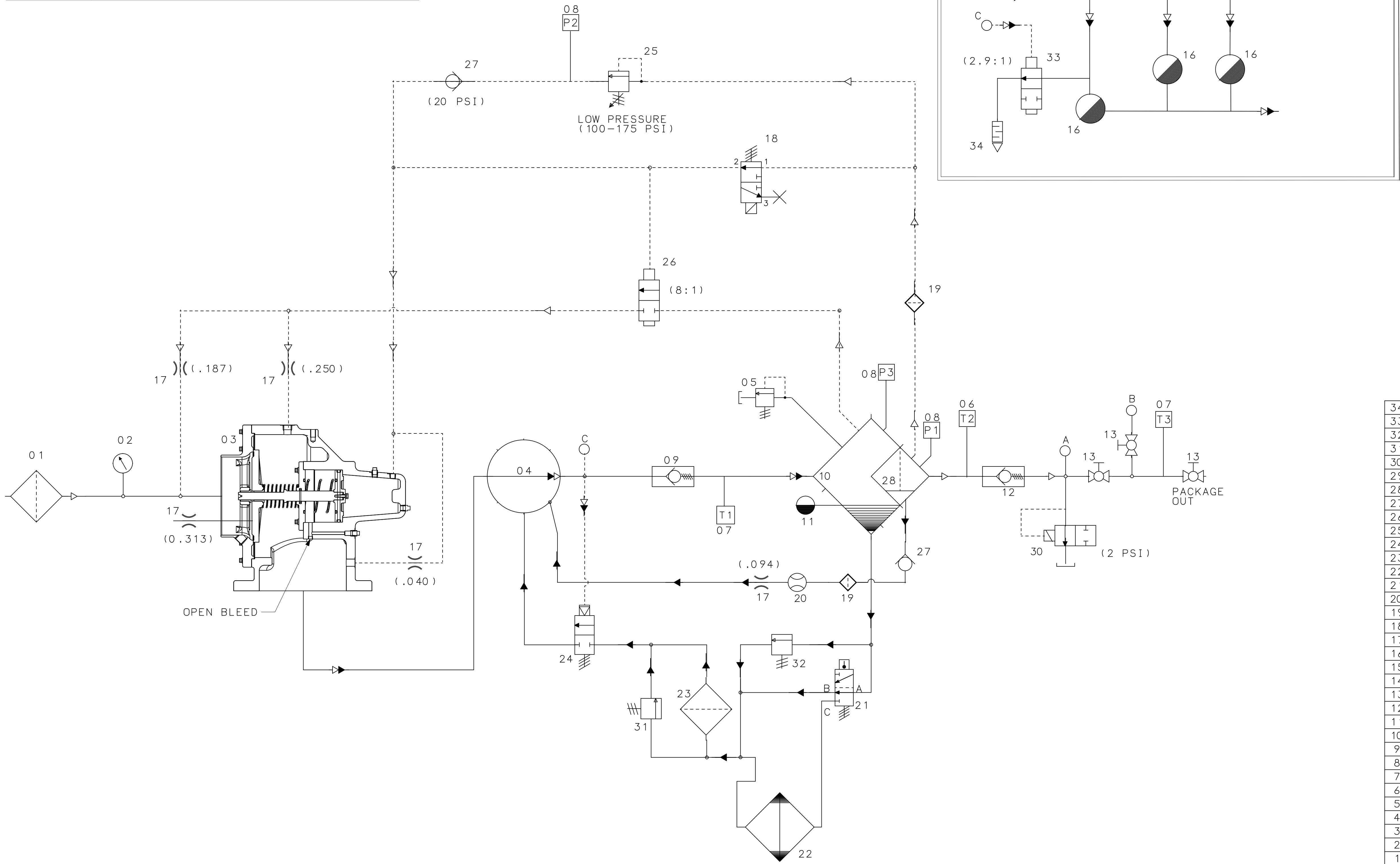
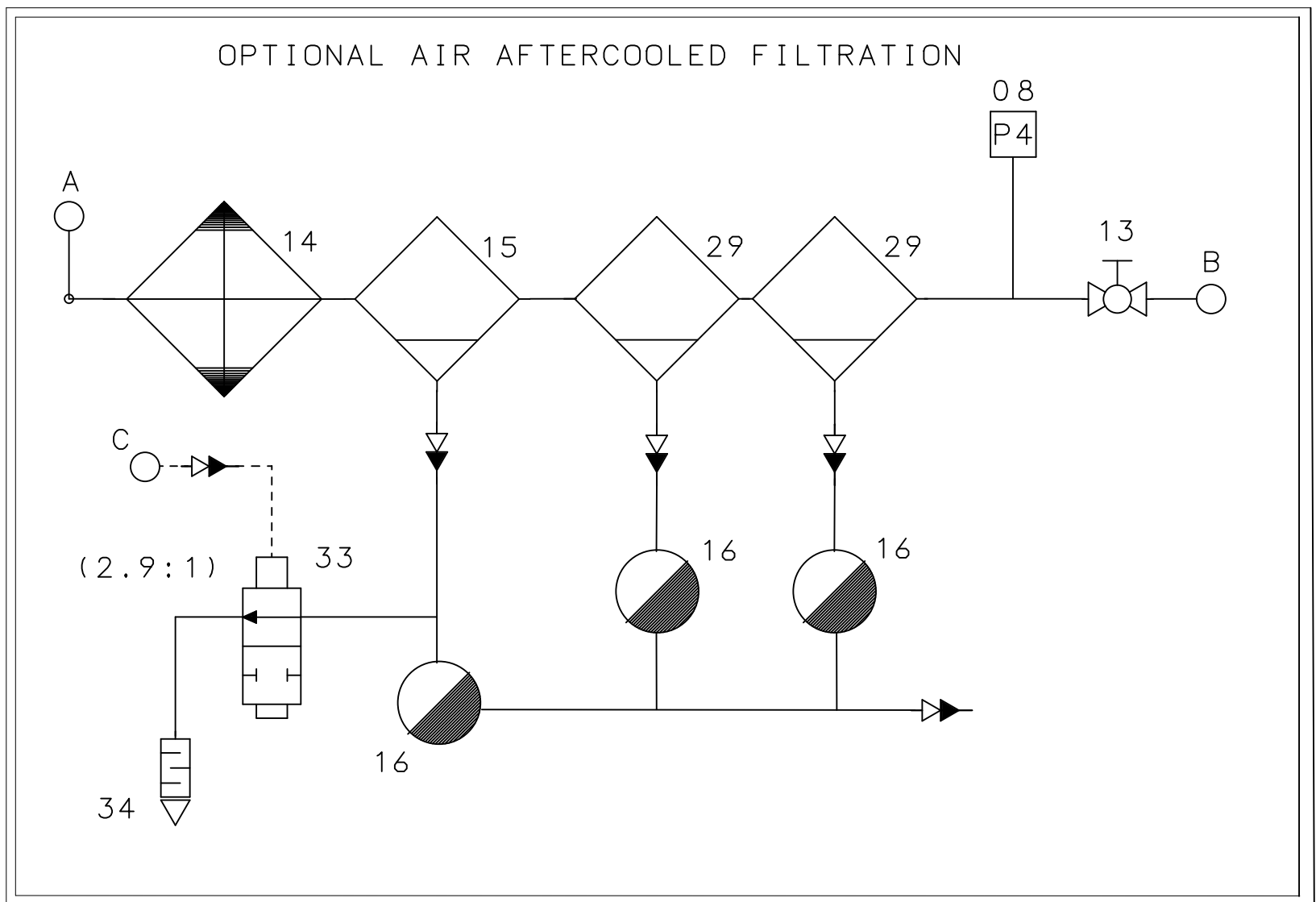


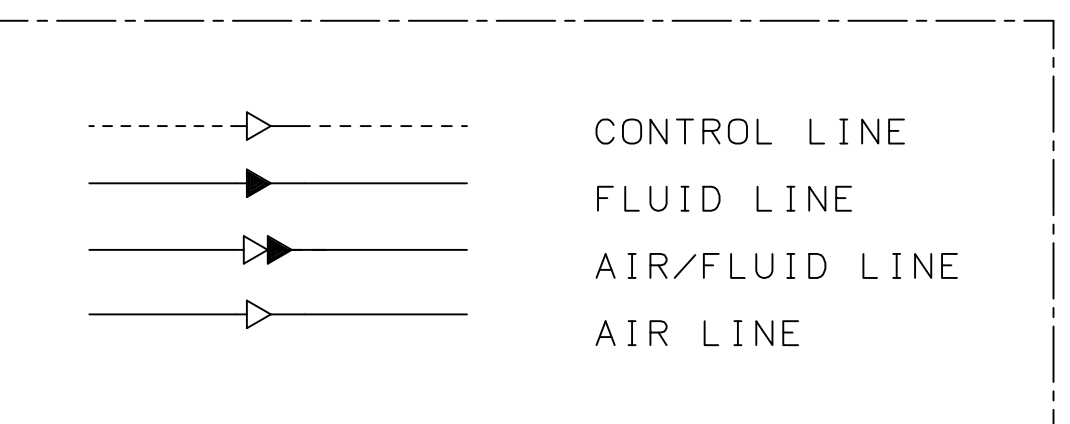
SUBJECT TO EAR, ECCN EAR99 AND RELATED EXPORT CONTROL RESTRICTIONS

REVISIONS						
SHEET	ZONE	REV	ECO NO	DESCRIPTION	DATE	REV BY
-	-	05	512648	UPDATED TITLEBLOCK, REMOVED SHEET 2 REMOVED ITEM 33 AND RENUMBERED REMAINING.	2019-07-17	MWV

COMPONENT	DESCRIPTION
P1	DRY SIDE PRESSURE
P2	CONTROL PRESSURE
P3	WET SIDE PRESSURE
P4	AFTERCOOLER FILTER DISCHARGE PRESSURE
T1	COMPRESSOR DISCHARGE TEMPERATURE (CDT)
T2	RECIEVER TANK TEMPERATURE (RTT)
T3	AFTERCOOLER DISCHARGE TEMPERATURE



ITEM	PART NO.	DESCRIPTION	QTY	REMARKS
34	-	SILENCER, BLOWDOWN	1	
33	-	VALVE, BLOWDOWN NO	1	
32	-	VALVE, COOLER BYPASS	1	
31	-	VALVE, FILTER BYPASS	2	
30	-	VALVE, ATMOSPHERIC DRAIN	1	
29	-	FILTER, AIR W/AUTO FLOAT	2	
28	-	ELEMENT, AIR/OIL SEPARATOR	1	
27	-	VALVE, CHECK	2	
26	-	VALVE, BLOWDOWN NC	1	
25	-	VALVE, BACKPRESSURE REGULATOR	2	
24	-	VALVE, OIL STOP	1	
23	-	FILTER, OIL	1	
22	-	COOLER, OIL	1	
21	-	VALVE, THERMAL BYPASS	1	
20	-	SIGHT GLASS, SCAVENGE	1	
19	-	STRAINER	2	
18	-	VALVE, SOLENOID 3WNO	2	
17	-	ORIFICE	5	
16	-	DRAIN	1	
15	-	SEPARATOR, MOISTURE	1	
14	-	COOLER, AIR	1	
13	-	VALVE, BALL	2	
12	-	VALVE, MINIMUM PRESSURE	1	
11	-	SIGHT GLASS, OIL LEVEL	1	
10	-	TANK, AIR/OIL SEPARATION	1	
9	-	VALVE, DISCHARGE CHECK	1	
8	-	SENSOR, PRESSURE	3	
7	-	SENSOR, TEMPERATURE	1	
6	-	SWITCH, TEMPERATURE	1	
5	-	VALVE, RELIEF	1	
4	-	COMPRESSOR	1	
3	-	VALVE, AIR INLET	1	
2	-	GAUGE, AIR FILTER RESTRICTION	1	
1	-	FILTER, AIR	1	



1600 TIER 4F P&I

DESIGNED	M.VALPATIC	MATERIAL FINISH SPEC	WEIGHT	LBS	DWG NO	REV
DRAWN	M.VALPATIC				02250221-721	05
ENGINEER	-	PROD CODE	X01A			
STANDARDS	-	SHEET	1 OF 1			
SUPERVISOR	-					
MANAGER	-					
DATE	2019-07-17					