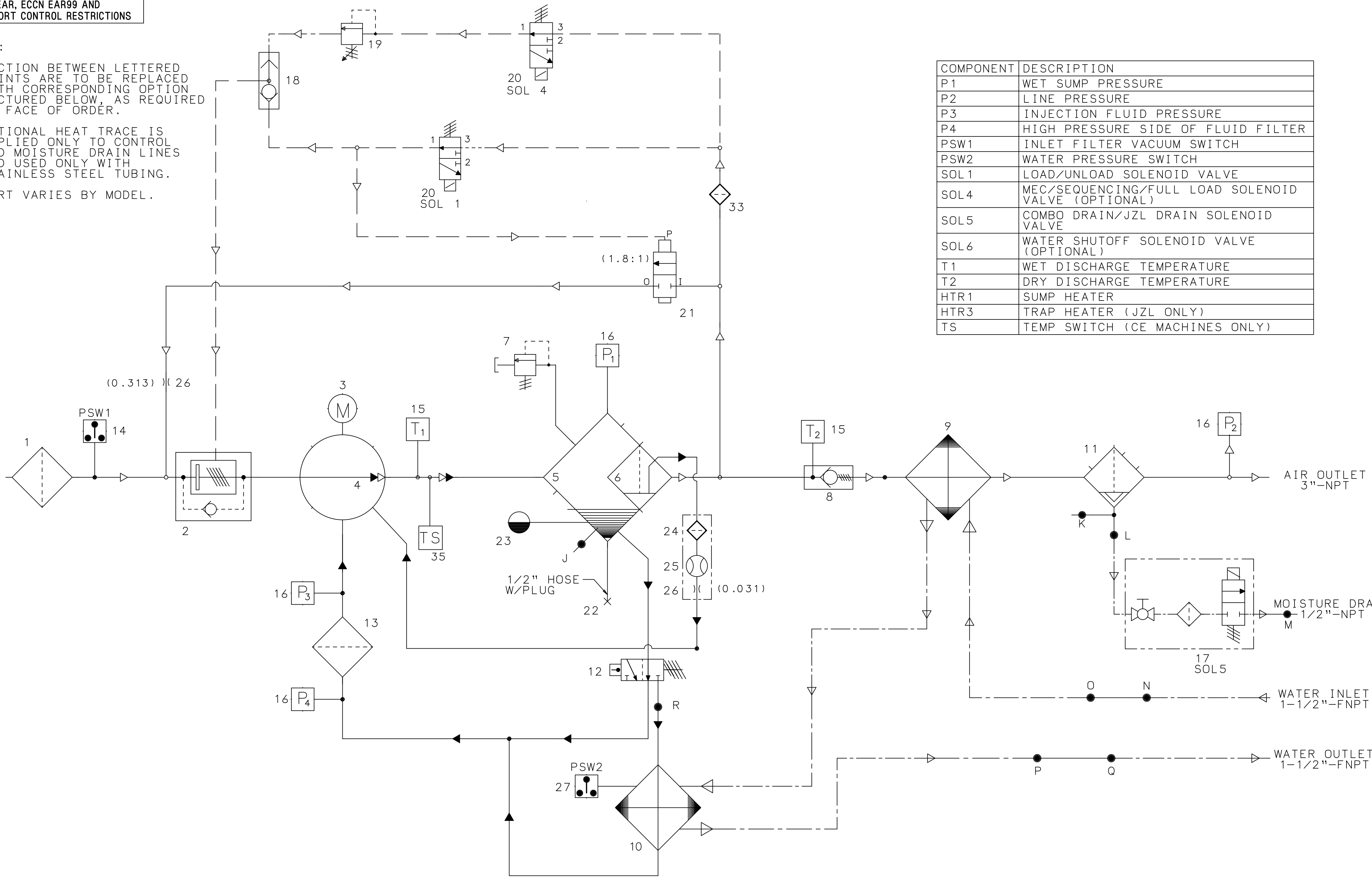


SUBJECT TO EAR, ECCN EAR99 AND RELATED EXPORT CONTROL RESTRICTIONS

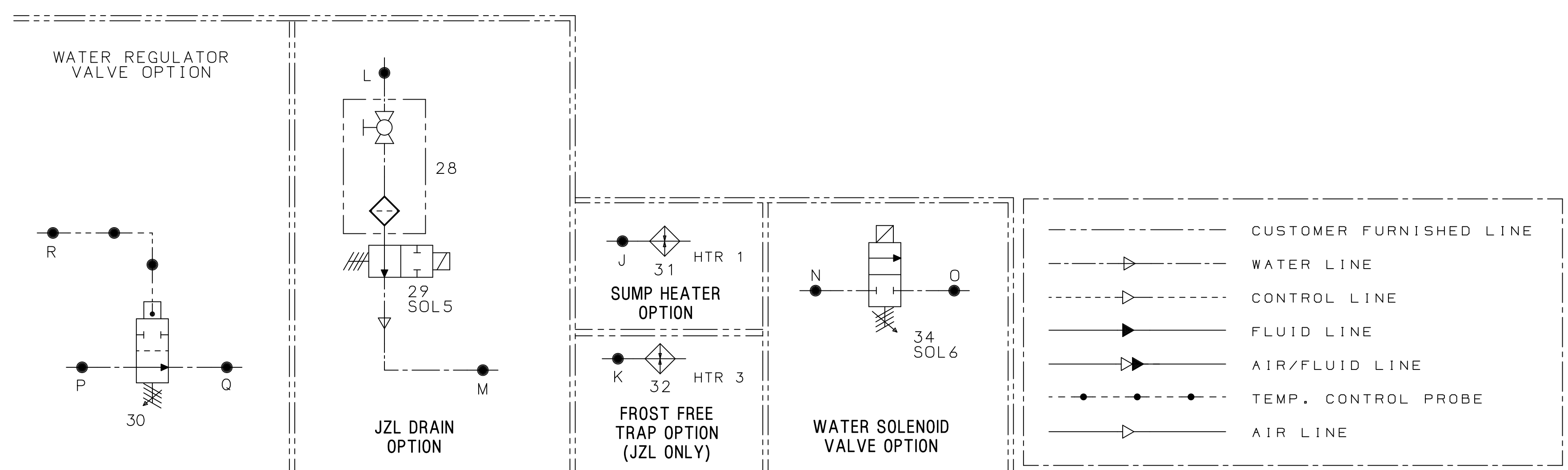
- NOTES:
- SECTION BETWEEN LETTERED POINTS ARE TO BE REPLACED WITH CORRESPONDING OPTION PICTURED BELOW, AS REQUIRED BY FACE OF ORDER.
 - OPTIONAL HEAT TRACE IS APPLIED ONLY TO CONTROL AND MOISTURE DRAIN LINES AND USED ONLY WITH STAINLESS STEEL TUBING.
 - PART VARIES BY MODEL.

COMPONENT	DESCRIPTION
P1	WET SUMP PRESSURE
P2	LINE PRESSURE
P3	INJECTION FLUID PRESSURE
P4	HIGH PRESSURE SIDE OF FLUID FILTER
PSW1	INLET FILTER VACUUM SWITCH
PSW2	WATER PRESSURE SWITCH
SOL1	LOAD/UNLOAD SOLENOID VALVE
SOL4	MEC/SEQUENCING/FULL LOAD SOLENOID VALVE (OPTIONAL)
SOL5	COMBO DRAIN/JZL DRAIN SOLENOID VALVE
SOL6	WATER SHUTOFF SOLENOID VALVE (OPTIONAL)
T1	WET DISCHARGE TEMPERATURE
T2	DRY DISCHARGE TEMPERATURE
HTR1	SUMP HEATER
HTR3	TRAP HEATER (JZL ONLY)
TS	TEMP SWITCH (CE MACHINES ONLY)

REVISIONS						
SHEET	ZONE	REV	ECO NO	DESCRIPTION	DATE	REV BY
-	-	00	506161	PROTOTYPE RELEASE	2016-12-20	REH
-	-	01	506338	PRODUCTION RELEASE	2017-01-23	REH
-	-	02	511503	ADDED TEMP SWITCH. UPDATED SHEET FORMAT.	2019-01-30	AMH



35	-	TEMP SWITCH (CE MACHINES ONLY)	1
34	-	VLV, SOL WATER	1
33	-	STRAINER	1
32	-	HTR, ZL	1
31	-	HTR, SEP TNK	1
30	-	VLV, WATER REG	1
29	-	DRN, ZERO LOSS	1
28	-	VLV, BALL/STNR COMBO	1
27	-	SW, PRESSURE	1
26	-	ORF	2
25	-	SIGHTGLASS, SCAVENGE	1
24	-	FILTER, SCAVENGE	1
23	-	PLUG, SIGHTGLASS	1
22	-	DRN, SEP TANK	1
21	-	VLV, BLOWDOWN	1
20	-	VLV, SOL 3WNO	2
19	-	VLV, BACK PRESSURE	1
18	-	VLV, SHUTTLE	1
17	-	VLV, DRAIN	1
16	-	XDCR, PRESSURE	4
15	-	P, THERMISTER	2
14	-	SW, VAC	1
13	-	FLTR, COMPR OIL	1
12	-	ELEM, THERMAL VLV	1
11	-	SEP, H2O	1
10	-	CLR, OIL	1
09	-	CLR, AIR	1
08	-	VLV, MIN PRESS	1
07	-	VLV, RELIEF	1
06	-	ELEM, AIR/OIL SEP	1
05	-	TNK, OIL SEP	1
04	-	COMPR	1
03	-	MOTOR	1
02	-	VLV, AIR INLET	1
01	-	FILTER, AIR INLET	1



TOLERANCES UNLESS OTHERWISE SPECIFIED		SULLAIR® A Hitachi Group Company		MATERIAL		DWG. P&I LS110 WC	
ALL DIMENSIONS ARE IN INCHES		DESIGNED	REH	FINISH SPEC		DWG NO	REV
ONE DECIMAL PLACE	±.1	DRAWN	REH	WEIGHT	LBS	02250228-723	02
TWO DECIMAL PLACES	±.06	ENGINEER	-	PROD CODE	X0XB		
THREE DECIMAL PLACES	±.015	STANDARDS	-	SHEET	1 OF 1		
ANGULAR DIMENSION	± 1.0°	SUPERVISOR	-	THIS DOCUMENT IS THE PROPERTY OF SULLAIR. YOU MAY NOT POSSESS, USE, COPY OR REPRODUCE THIS DOCUMENT OR ANY INFORMATION THEREIN FOR ANY PURPOSES WITHOUT THE WRITTEN PERMISSION OF SULLAIR. ANY UNAUTHORIZED REPRODUCTION OR DISSEMINATION OF THIS DOCUMENT IS STRICTLY PROHIBITED. SULLAIR ASSUMES NO LIABILITY FOR ANY DAMAGE OR LOSS OF PROFITS, BUSINESS, OR REVENUE, OR FOR ANY SPECIAL, INCIDENTAL, OR CONSEQUENTIAL DAMAGES, WHETHER IN A CONTRACT OR TORT ACTION, ARISING FROM ANY USE OF THIS DOCUMENT.			
HOLE DIAMETER	±.03	MANAGER	-	DATE	2016-12-20	SIZE	D

PRODUCTION